

HOT YOGA ROOM AND FULL SPECTRUM SAUNA

Designed with two removable Basswood benches so you can use it as your own private hot yoga room or a full spectrum infrared sauna.

BUILT-IN CHARGING AND AUDIO STATION

Charge your tablet or smartphone inside the sauna and connect your favorite audio device with Bluetooth or the included MP3 jack.

BEAUTIFUL ACCENT LIGHTS

Energy efficient LED lights highlight the beauty of your sauna while providing gentle ambient lighting.

COMBINATION DOOR HANDLE/TABLET CRADLE FOR EASY MEDIA VIEWING

Place your tablet on the door handle for easy viewing of your favorite shows or movies from inside the sauna.

ITALIAN DESIGNED SAUNA WITH GLASS ROOF

The modern look of your Sanctuary sauna will complement every room.

THERAPEUTIC FAR INFRARED HEATERS

Our exclusive TrueWave® combination carbon/ceramic low EMF / low ELF heaters surround you in healing infrared heat.

TRUE WAVE® FULL SPECTRUM HEATERS

Our full spectrum near, mid and far infrared heaters deliver over 20 times the power of the nearest competitor. Our patented heating system allows for the deepest penetration with peak performance.

HEATED FLOOR

The large interior space allows plenty of room for yoga poses. The infrared heat from the heated floor will help you ease into your stretch.



ENHANCED AUDIO SOUND SYSTEM



Bluetooth and AUX inputs makes it easy to connect and listen to your audio devices.

DIGITAL KEYPAD CONTROLS



Never Fail™ digital keypad controls temperature, time, lights, heater intensity and reservation mode.

COLOR LIGHT THERAPY



Your Sanctuary sauna comes standard with our healing Chromotherapy. Choose from one of twelve colors or auto-cycle through all color tones.

TABLET / SMARTPHONE CONTROL (optional)



Log in from your Android tablet or smartphone and remotely operate your sauna.

SPECIFICATIONS

Construction

Eco-Certified wood choices:
1. Mahogany
2. Basswood
Tongue & Groove Construction
Weight: 715 lbs

Exterior

Width: 76"
Depth: 60"
Height: 77"
Door: 23 3/4" x 73 1/4"

Interior

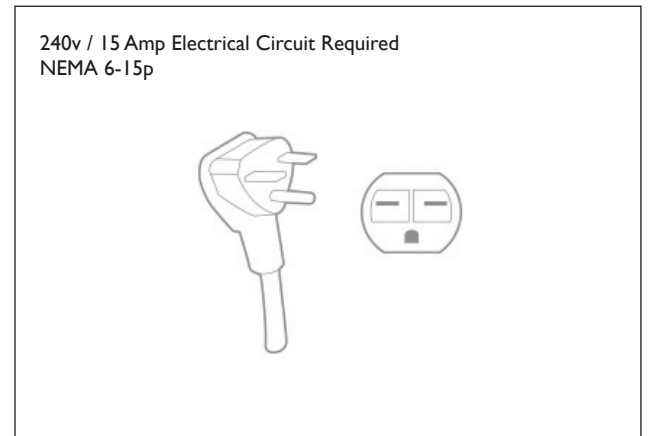
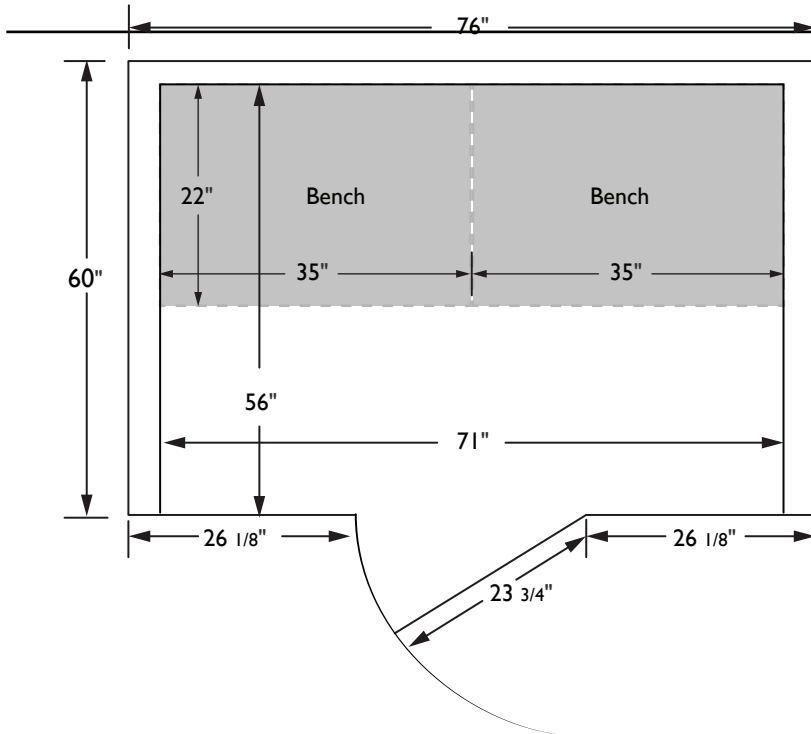
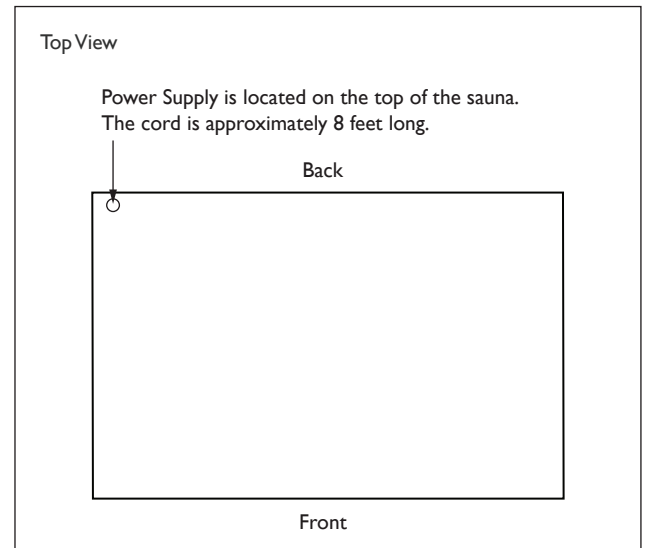
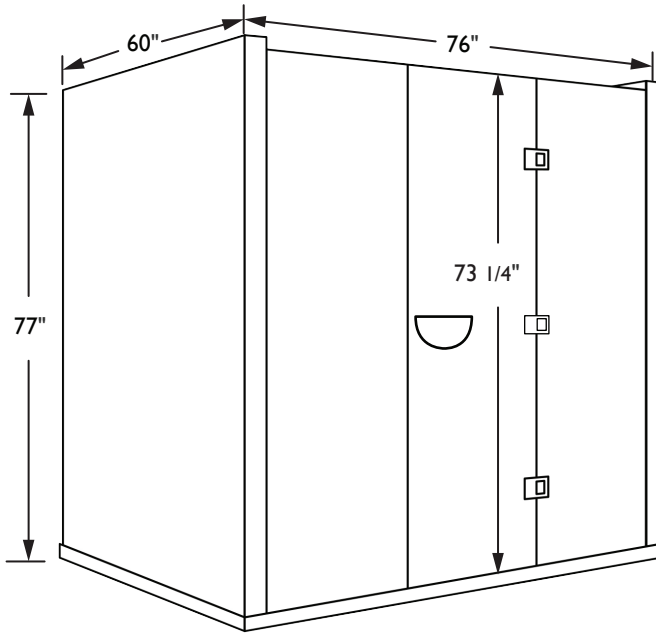
Width: 71"
Depth: 56"
Height: 74"
Two Benches:
35" x 22"
Bench Height: 20"

Heaters

True Wave® Carbon/Ceramic
Far infrared and full spectrum heaters
Power: 240V / 3,360W / 14A

Limited Lifetime

Residential Warranty
Cabinetry & Glass
Electrical
Heaters
Controls



SPECIFICATIONS

Construction

Eco-Certified wood choices:
1. Mahogany
2. Basswood
Tongue & Groove Construction
Weight: 715 lbs

Exterior

Width: 76"
Depth: 60"
Height: 77"
Door: 23 3/4" x 73 1/4"

Interior

Width: 71"
Depth: 56"
Height: 74"
Two Benches:
35" x 22"
Bench Height: 20"

Heaters

True Wave® Carbon/Ceramic
Far infrared and full spectrum heaters
Power: 240V / 3,360W / 14A

Limited Lifetime

Residential Warranty
Cabinetry & Glass
Electrical
Heaters
Controls