

# The Curve Sauna Dome by Clearlight®

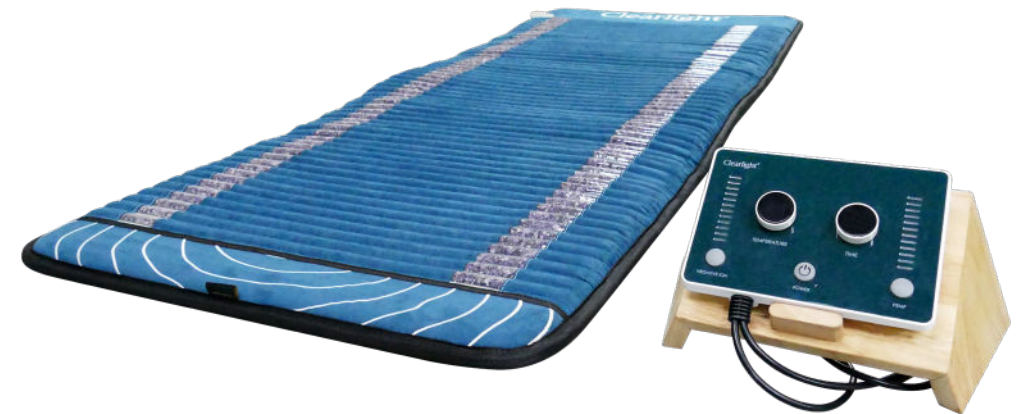
Includes Amethyst Infrared PEMF Mat

## The Ultimate Duo

Experience the ultimate wellness combination with the Clearlight® Sauna Dome and Amethyst Infrared PEMF Mat. Lay on the luxurious Amethyst Mat and let over 25 lbs of pure amethyst crystals gently warm and soothe your body, promoting relaxation and rejuvenation. The infrared wavelengths harmonize with PEMF therapy to stimulate natural recovery processes, enhancing overall well-being. For an exceptional far infrared experience, simply place the Curve Sauna Dome on top of the mat, surrounding yourself with healing heat that detoxifies, relieves muscle pain, and supports weight loss. Perfect for home use, day spas, gyms, and more.

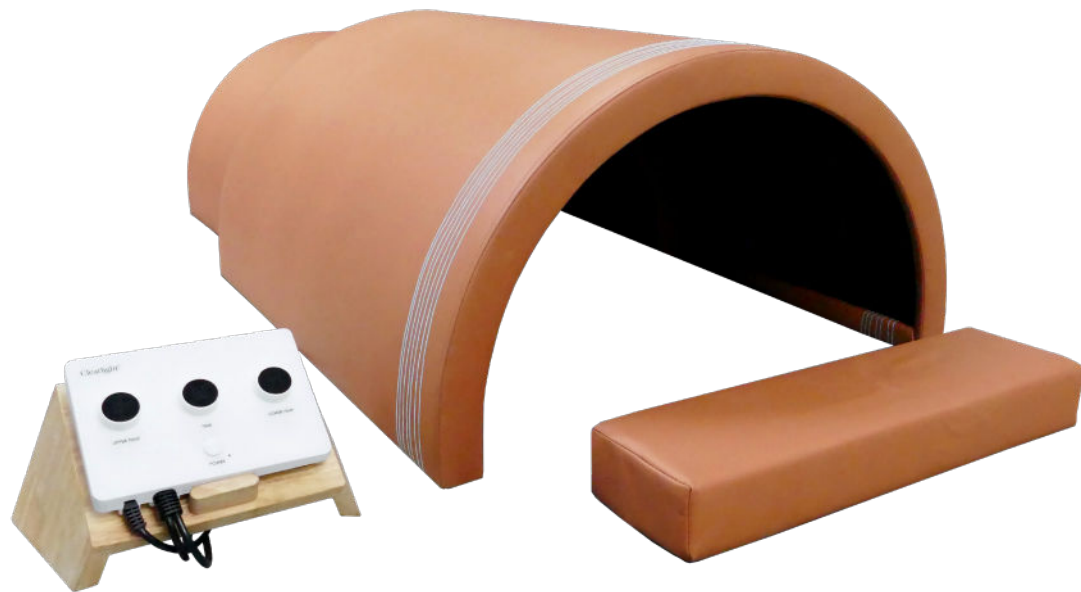
### Contents include:

- 1 Upper and 1 Lower Dome
- Electronic control panels and wood stands for both Dome and Mat
- 1 memory foam headrest
- 1 waterproof washable mat cover
- 1 curtain
- 1 Amethyst Infrared PEMF Mat, and a zippered carrying case.



# The Curve

Sauna Dome  
by Clearlight®



## Superior Heater Technology

Our Far Infrared heaters combine Carbon and Ceramic to produce healing infrared heat that is unmatched. Our heaters are comprised of micro-thin carbon fibers (1/1000th the thickness of a human hair) combined with our patented ceramic compound.

We start with a high quality organic carbon fiber sheet. Then we add our high output (high emissivity) ceramic compound, which produces long wave infrared heat unequaled by carbon heaters alone.

Lastly, the majority of EMF is canceled out, making the Curve the safest and most effective sauna dome available.

## Easy Storage

The Curve Sauna Dome is comprised of two lightweight dome shaped sections that make it very easy to store in a corner or the closet.

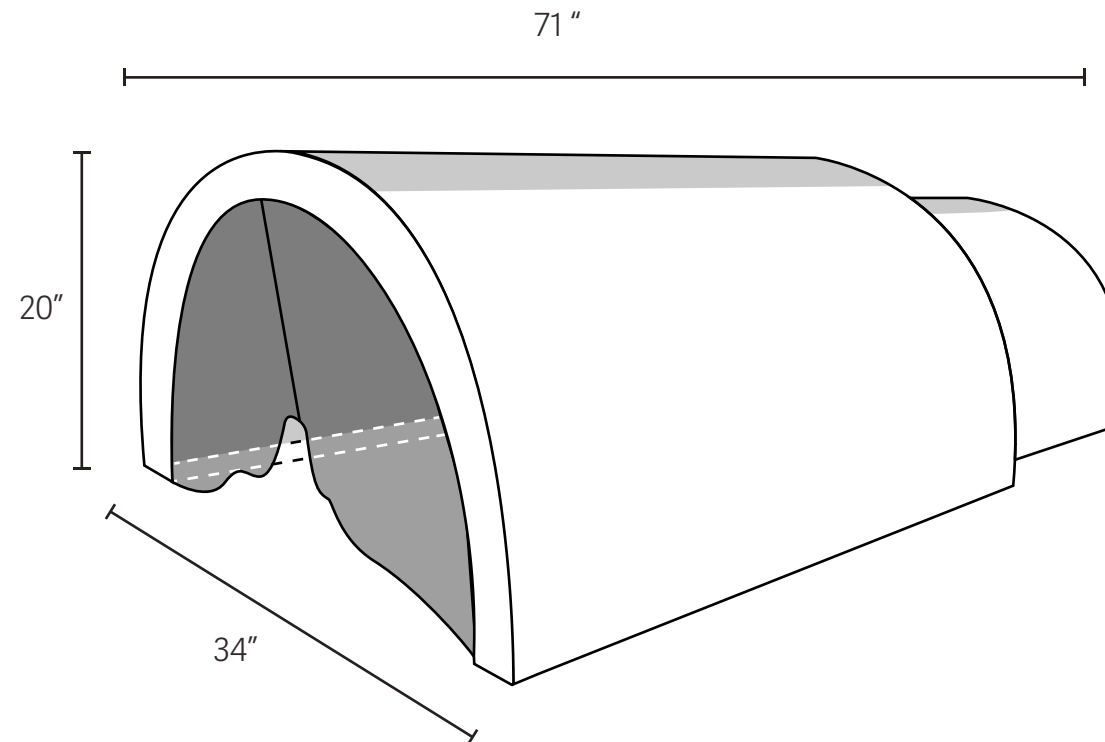
## Seven Year Warranty

The Curve Sauna Dome is made from the highest quality materials to ensure a lifetime of use, and is the only dome sauna backed by a seven year warranty.



# The Curve

Sauna Dome  
by Clearlight®



## Specifications

**Weight**  
53 lbs

**Size**  
Width: 34"  
Depth: 71"  
Height: 20"

**Heaters**  
Plugs in to standard  
120V/15amp outlet

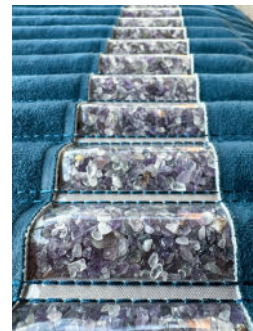
**Power:**  
120V/1000W/8.3A

**Warranty**  
7 Year Warranty

To learn more about The Curve Sauna Dome, contact an Infrared Sauna Specialist at 800.317.5070

# Amethyst Infrared PEMF Mat

by Clearlight®



Work out, stretch or relax with your Clearlight Amethyst Infrared PEMF Mat as the infrared wavelengths from over 25 lbs of pure amethyst crystals deeply penetrate and warm your body. The heat generated from the amethyst begins working immediately to soothe and heal.

Increase your body's natural recovery process with the addition of Pulsed Electromagnetic Field (PEMF) therapy. PEMF delivers a whole-body wellness experience. It's a safe and natural way to boost your body's cellular function and improve your physical and mental health.

When combining far infrared, PEMF and heated amethyst crystals, the improved wellness benefits are exponential.

## Far Infrared & PEMF Benefits

- Muscle Pain Relief
- Joint Pain and Stiffness Relief
- Arthritis Pain Reduction
- Muscle Spasms Relief
- Inflammation Reduction
- Increased Energy
- Improved Cell Health
- Back Pain Relief
- Immune System Boost
- Restful Sleep
- Faster Injury Recovery

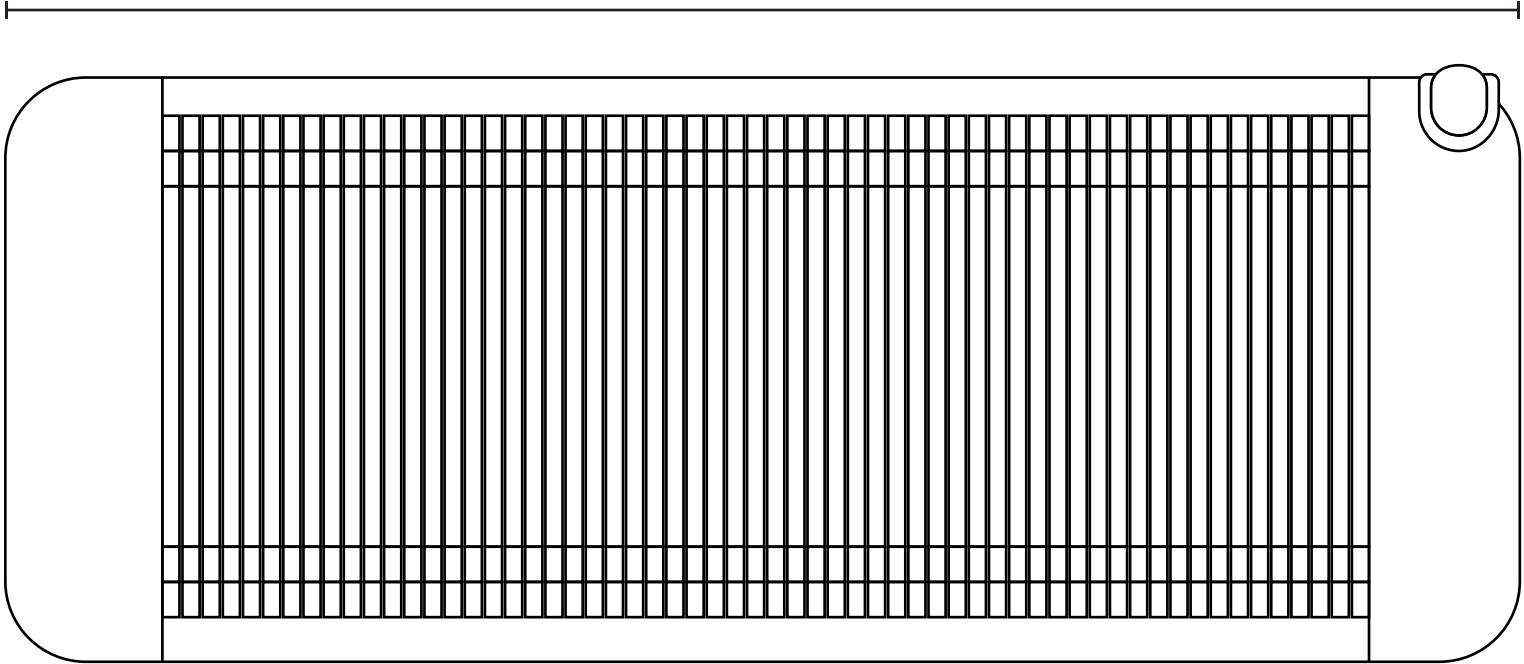
## The Healing Power of Amethyst

- Cell Regeneration
- Sleep Support
- Blood Circulation
- Fluid Motility
- Mood Support
- Antioxidant Activity
- Wound Support
- Bacteria Fighter

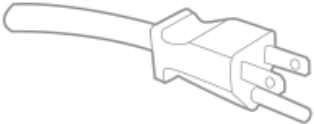
# Amethyst Infrared PEMF Mat

by Clearlight®

72 3/4"



29 1/2"



120V / 15 AMP NEMA 5-15 Plug

## Specifications

<b>Weight</b> 40 lbs	<b>Size</b> Width: 29 1/2" Height: 72 3/4"	<b>PEMF Info</b> Ten PEMF Cores Inside the Mat. Frequency Range: 3Hz – 23Hz	<b>Far Infrared Heaters</b> Low EMF far infrared heat is generated with infrared wavelengths between 6-14 microns. ≤0.5 milligauss (PEMF off) Low/ No VOC's	<b>Power:</b> 120V/v250W/2.1A  <b>Warranty</b> 7-year residential, 5-year commercial	<b>FDA Registered</b>	<b>Included with the Amethyst PEMF Mat:</b> <ul style="list-style-type: none"><li>• Waterproof Washable Cover</li><li>• Wood Stand</li><li>• Carrying Case</li></ul>
-------------------------	--	---	--	---	-----------------------	--



# Amethyst Infrared PEMF Mat

by Clearlight®

## PEMF Placement



Dr. Designed PEMF Placement for Maximum Healing:

The PEMF frequencies are carefully designed to provide whole-body healing, with specific benefits for each waveform:

- 3Hz: Relaxation and better sleep.
- 7.8Hz: Grounding and calming. Recharge and reconnect after day-to-day stress.
- 10Hz: Stress reduction and mindfulness. Helps improve focus and memory.
- 23Hz: Enhances mental function, concentration, and memory.

## Layers

